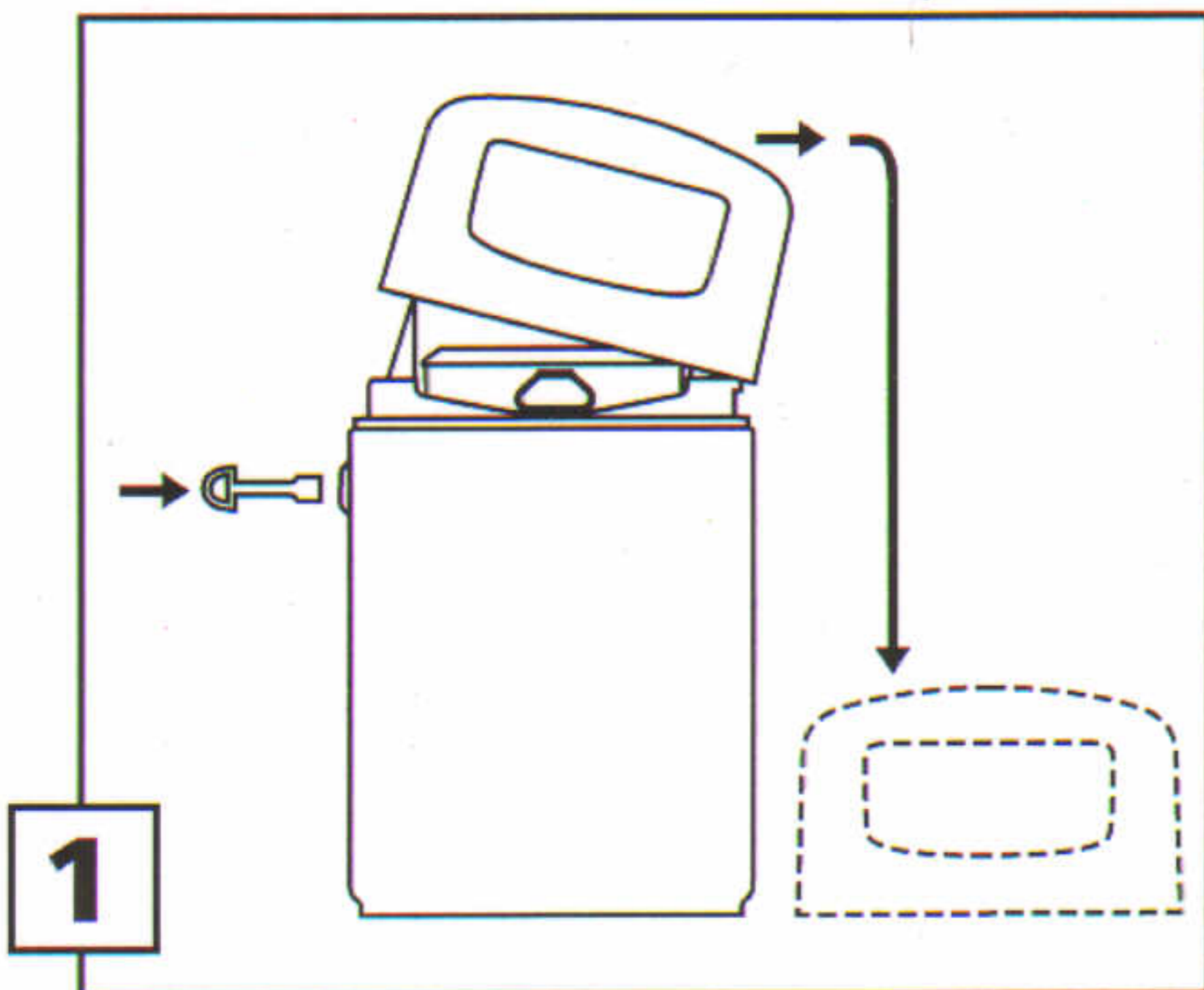


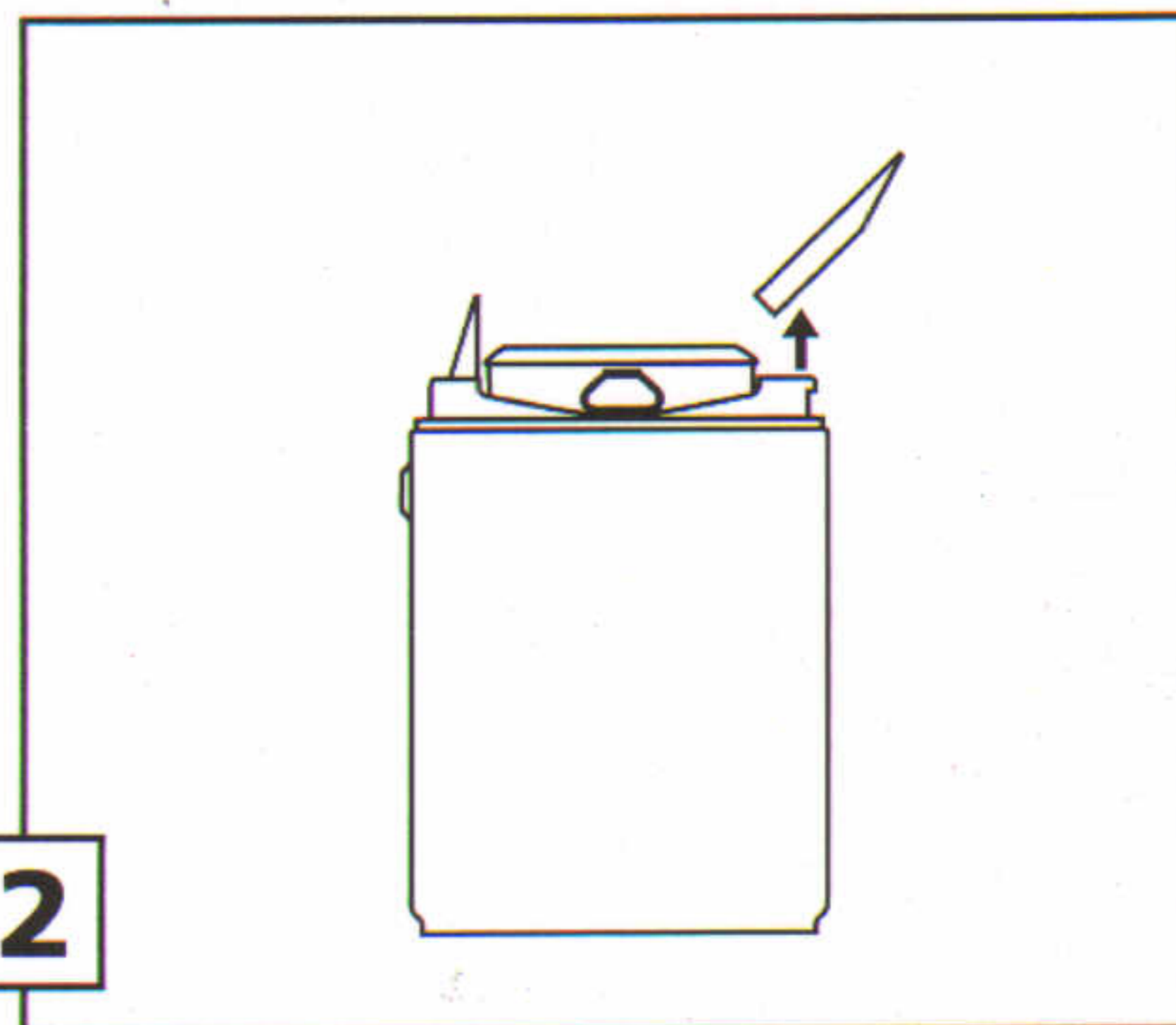
# INTEGRO

## OPERATING INSTRUCTIONS



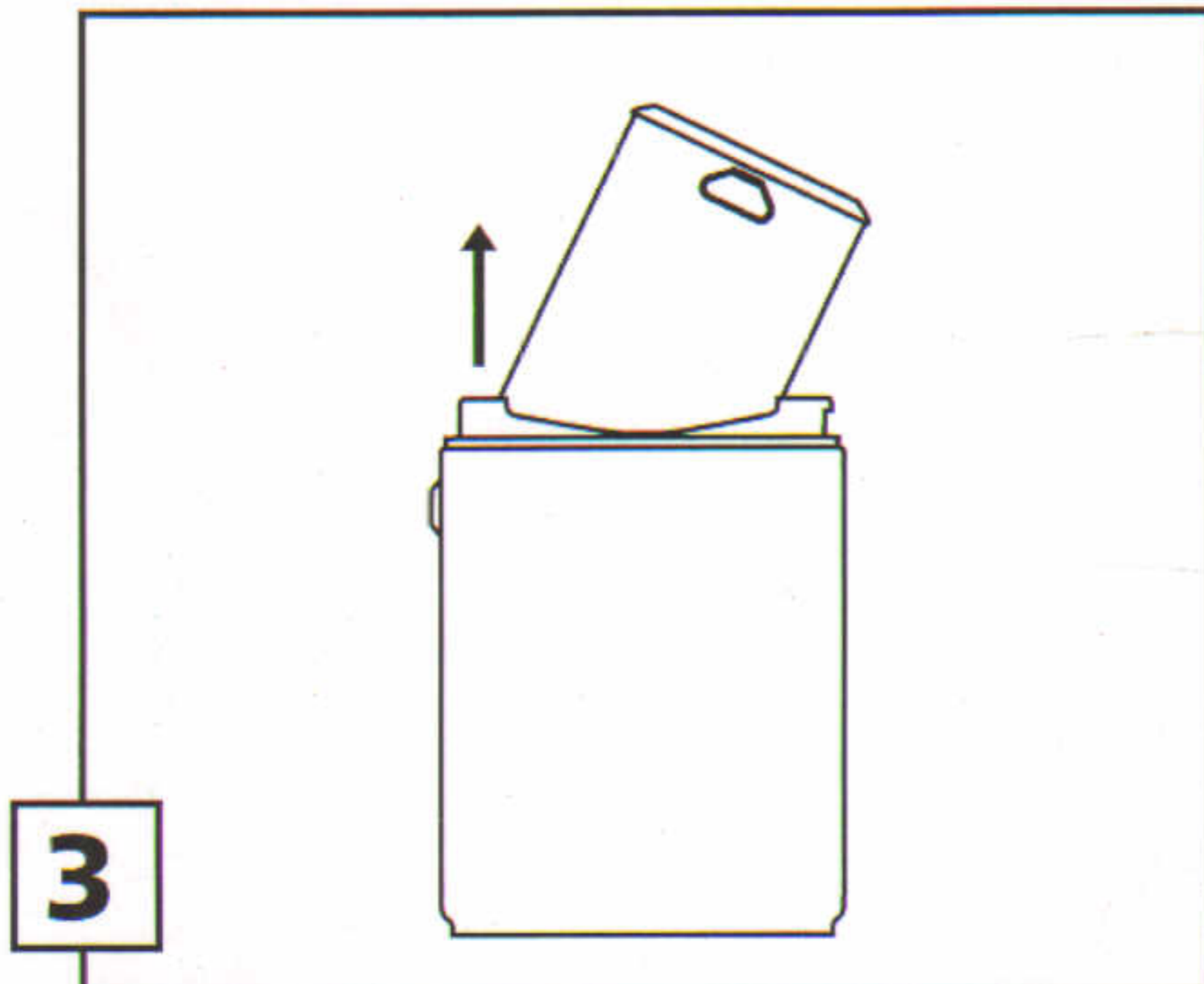
**1**

Insert key into lock and turn clockwise. Lift hood, nearest the lock. Slide away from the lock to remove hood. Gently place the hood on the ground along side the bin (so it goes back on as it came off)



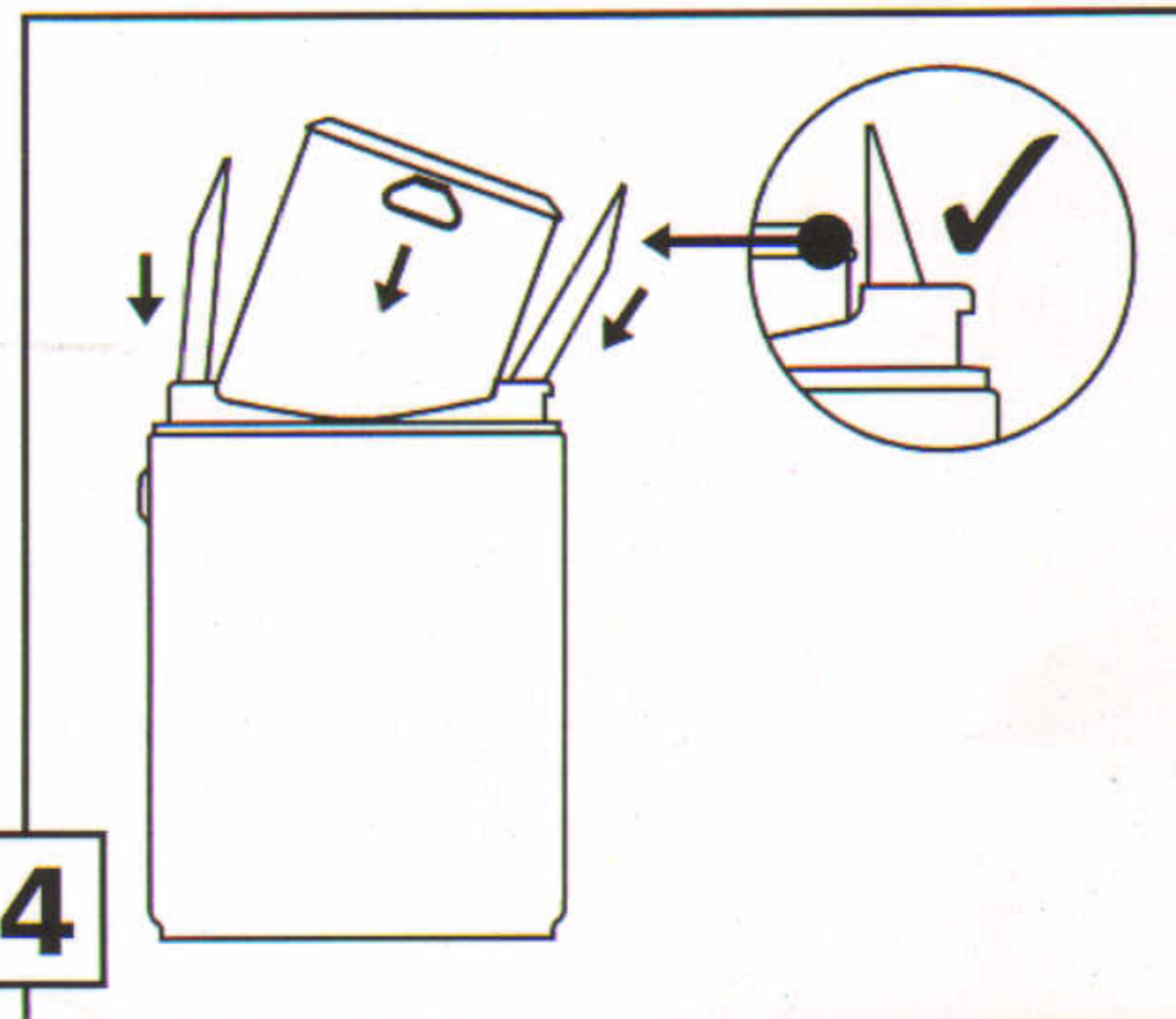
**2**

Lift and empty both ash liners either into main Liner or another metal receptacle.



**3**

Then either remove Plastic Sack from main liner (if required secure sack top with a knot or tape) or lift main liner from the bin using both handles then change grip to place one hand at the base of Liner to empty. Replace main liner and wrap plastic sack if fitted around top of the main liner. (Note: Main liner handles are to be on the long side of the bin)



**4**

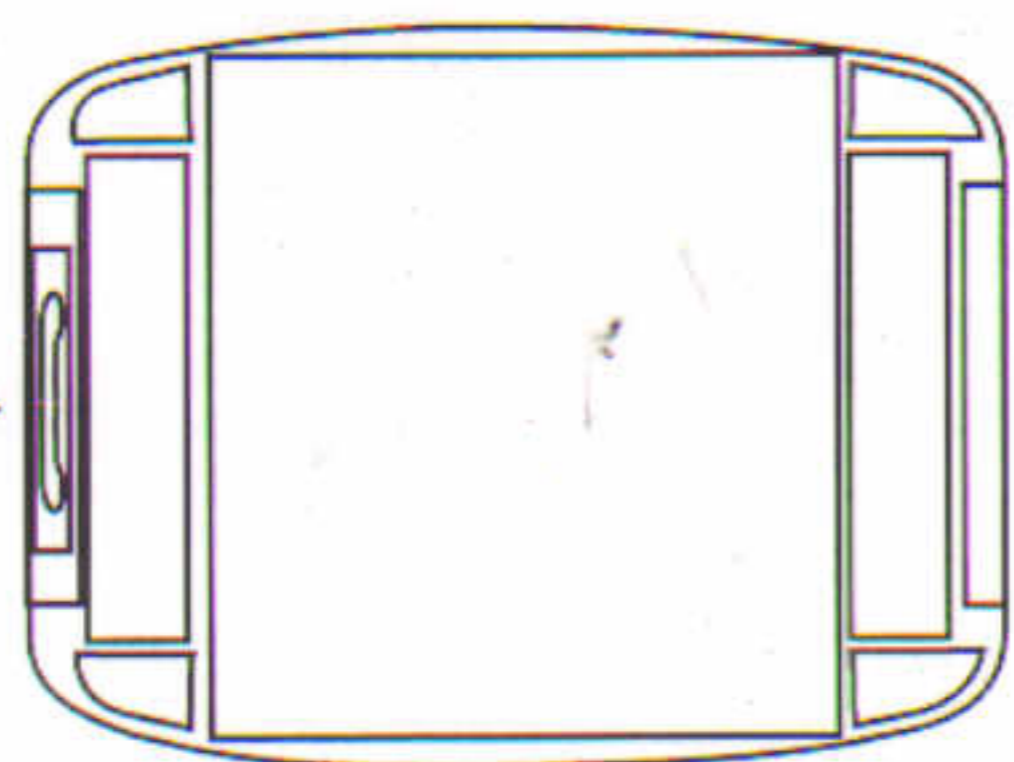
Replace ash liners with the high back facing inwards ( which forms a barrier to prevent cigarettes entering the Main Liner)  
 Note: Placing the Ash liners incorrectly will prevent the Hood from being closed. Cigarettes/ash would also be prevented from entering the Ash Liner.

**CLEANING:** Wash with a 10% solution of a mild detergent/soap in warm water using a soft bristle brush, followed by a thorough rinse with clean water. Brush in the line of the grain of the stainless steel panels. **DO NOT USE** abrasive cleaners or hard bristle brushes. Buff with a soft cloth to remove any residue left from cleaning, to regain the sheen on the metal.

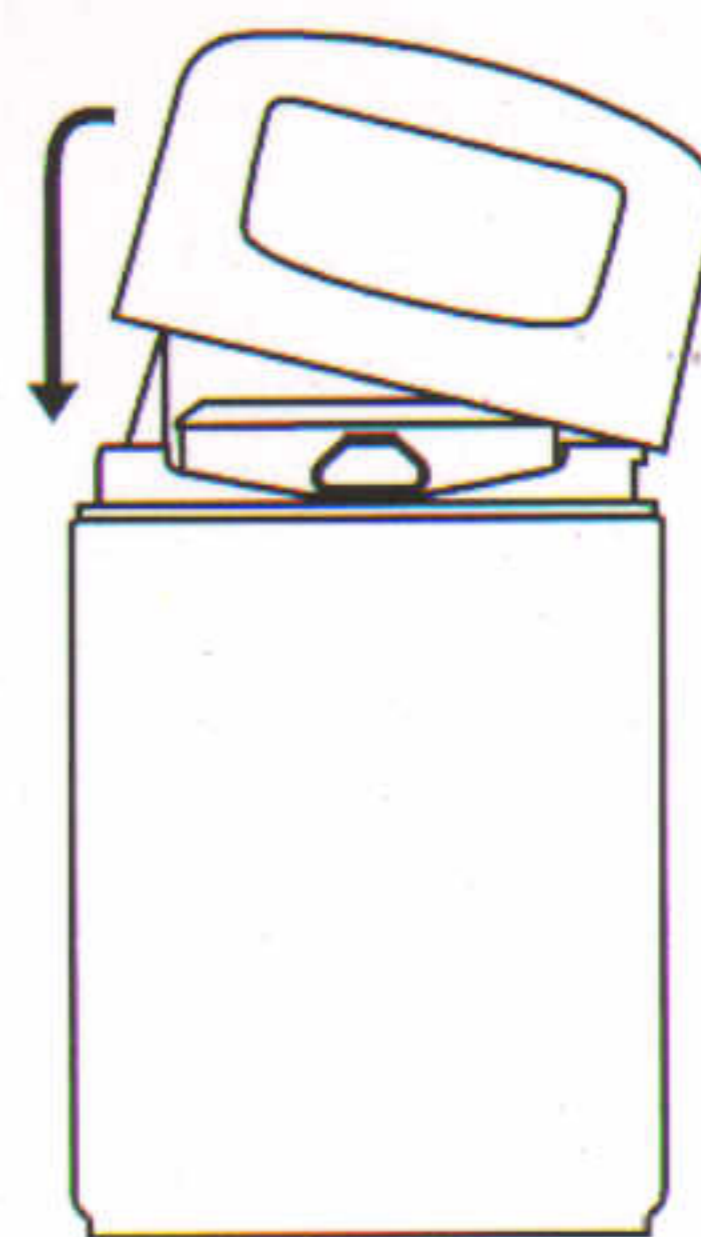


**5**

Slot at  
lock end →



Plan of top of body  
when hood is removed



To replace hood, ensure the correct side aligns with the lock. (See Handy hints below) Tilt the Hood, then hook the end opposite the slot onto the lugs on the bin body and slide the hood towards the lock end. Let go of the lock end and allow the hood to drop down onto the body of the bin enabling the bin to be locked.

### Handy Hints To the User

The easiest way is to gently place the hood on the floor alongside the bin so it goes back on as it came off.

If using for the first time, turn the Hood upside down and you will see that one side has a rectangular slot into which the Lock fits.

#### Note

- (i) Placing the Hood the wrong way round will prevent it sitting horizontally and from locking.
- (ii) Remove black packing film from stubber plate once installed.
- (iii) A planned maintenance schedule of regular inspection is recommended, replacing components as necessary.
- (iv) Replacement components are available from Glasdon.
- (v) Glasdon cannot be held responsible for claims arising from incorrect installation, unauthorised modification or misuse of the product.